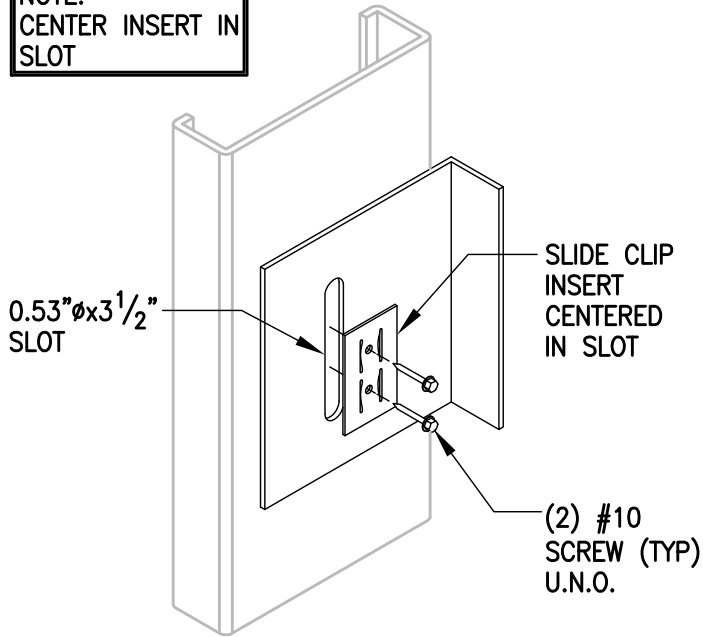


NOTE:  
CENTER INSERT IN  
SLOT



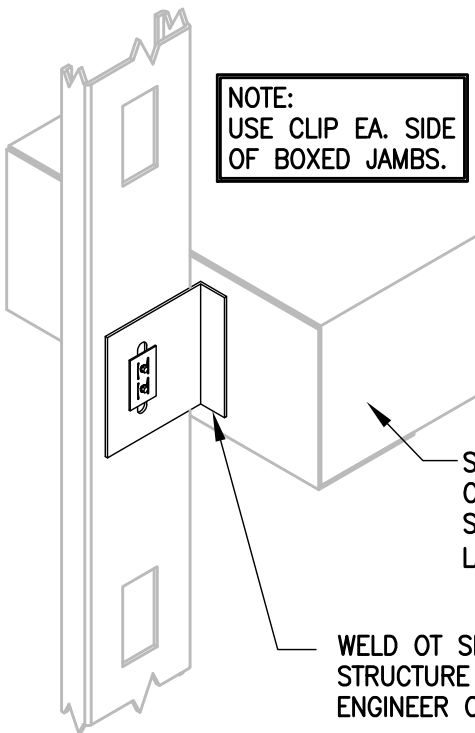
**CONNECTION ASSEMBLY**

CAPACITY OF SCREW CONNECTION (2) #10	
STUD GA.	OUT OF PLANE LOAD (SHEAR) (LBS)
33	354
43	526
54	810
68	810
97	810

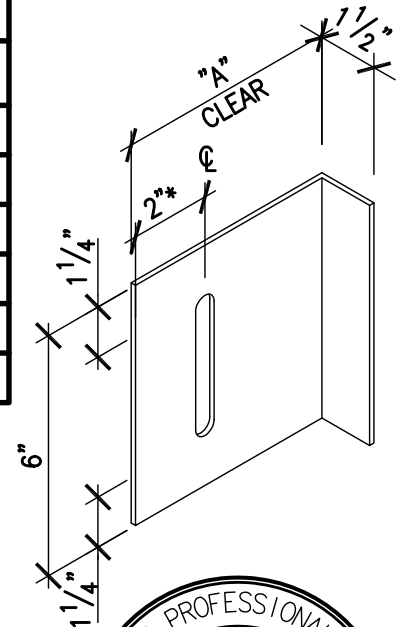
NOTE:

1. THE ALLOWABLE LOADS ARE BASED UPON A 33ksi YIELD STRESS OF THE STUD FOR 33 AND 43 MIL THICKNESS. FOR 54MIL AND THICKER THE YIELD STRESS IS ASSUMED AT 50 KSI.
2. THE STRENGTH OF THE SCREWS MUST BE AT LEAST 3.75 TIMES THE ALLOWABLE LOAD LISTED.
3. PENETRATION OF SCREWS THROUGH STUD SHALL NOT BE LESS THAN 3 EXPOSED THREADS.
4. SCREWS SHOULD BE INSTALLED AND TIGHTEN IN ACCORDANCE WITH SCREW MANUFACTURER'S RECOMMENDATIONS.

SLIDE CLIP SIZE AND IN PLANE CAPACITY		
STUD SIZE	A	IN PLANE CAPACITY (LBS)
12"	8"	32
10"	8"	32
8"	5 1/2"	55
6"	5 1/2"	55
4"	3 1/2"	76
3 1/2", 3 5/8"	3 1/2"	76



**CLIP CONNECTION TO STRUCTURE**



\* SLOT CENTERLINE OFFSET SHALL BE 1" WHEN STUDS LESS THAN 4" WIDE ARE USED.

68-mil SLIDE CLIP  
Fy = 50ksi STEEL



**SINGLE SLIP CLIP DETAIL**

N.T.S

1

**OLMAR SUPPLY INC.**  
2140 RESEARCH DR  
LIVERMORE, CA 94550

DATE: 08/12/11  
DESIGNED BY: T.A.C.  
PROJECT #: B11-103



**FICCADENTI WAGGONER & CASTLE**  
Consulting Structural Engineers, Inc.  
3100 Oak Road, Suite 390 Tel: (925) 280-0098  
Walnut Creek, Ca 94596 Fax: (925) 280-0096